

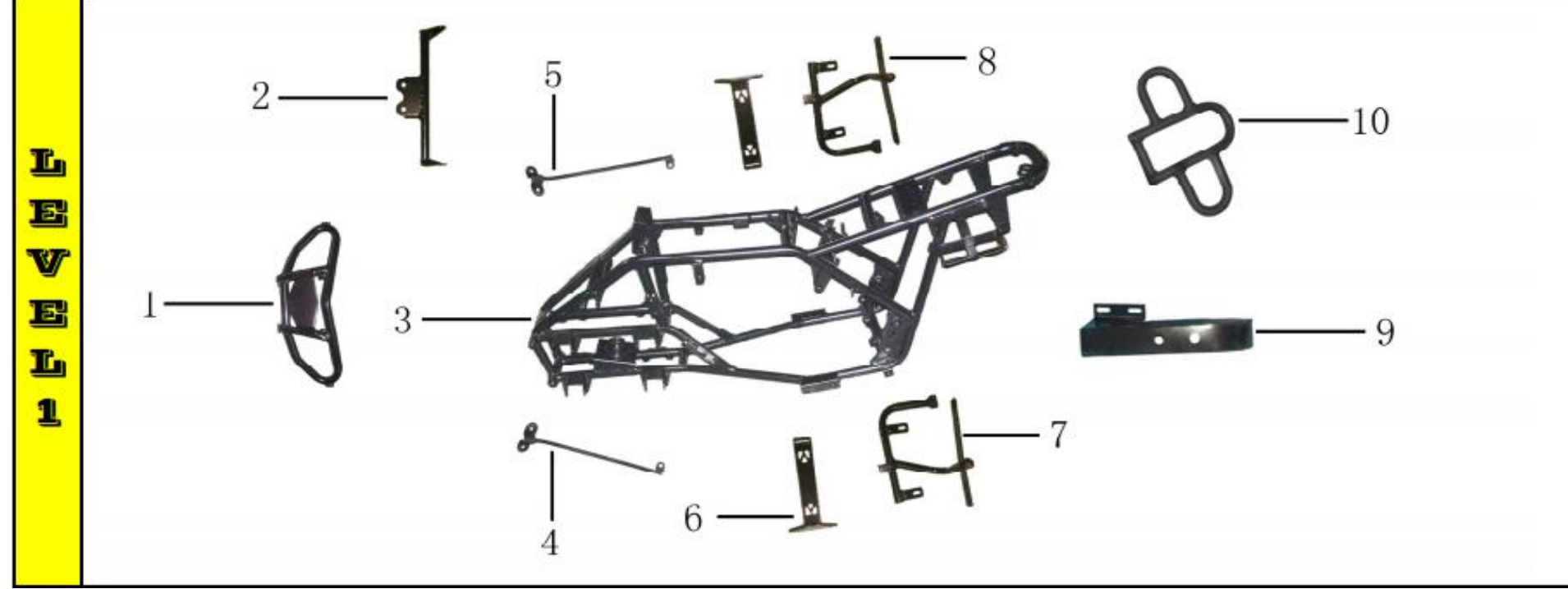
PARTS MANUAL

MODEL

REBEL T1

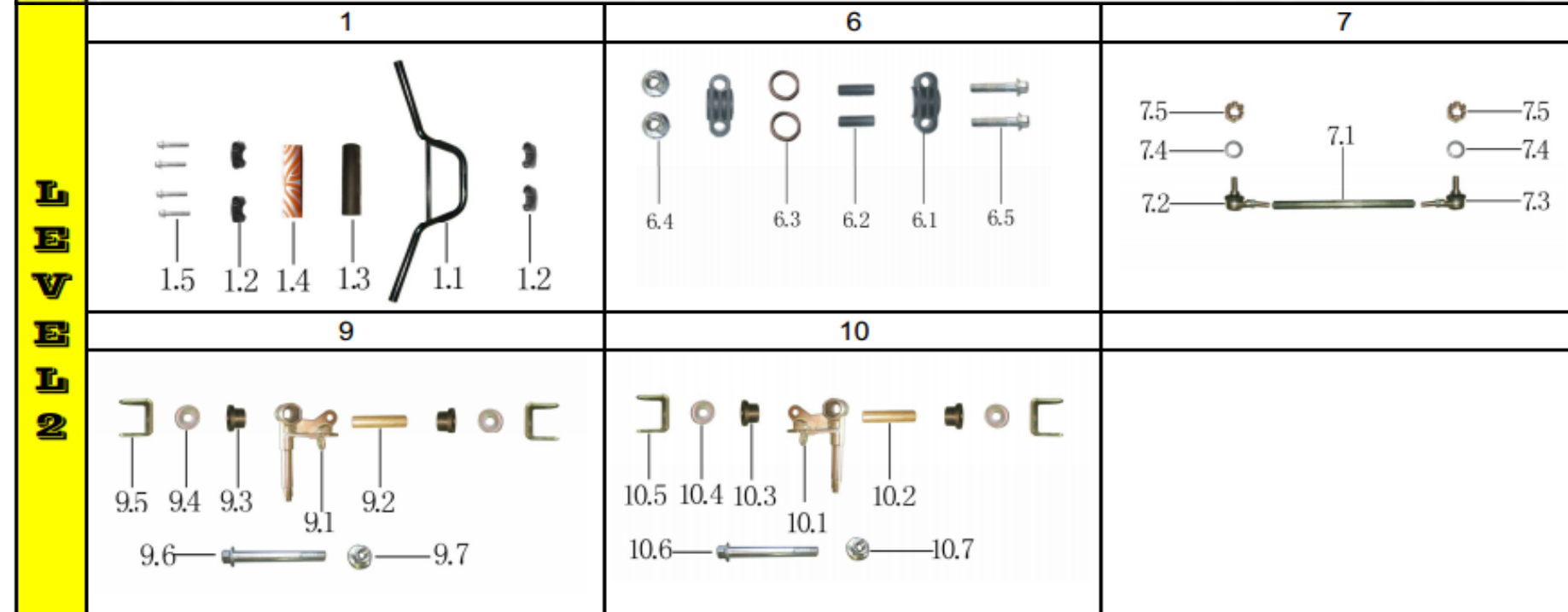
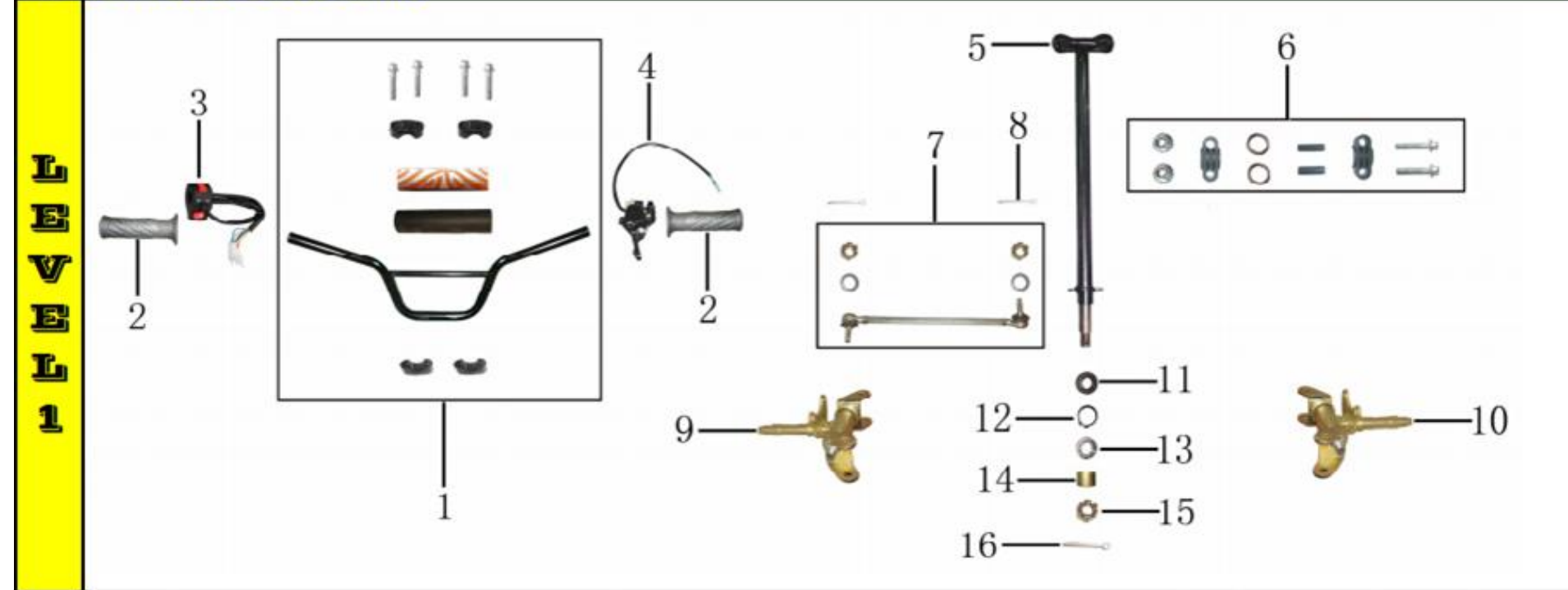


1.FRAME SYSTEM



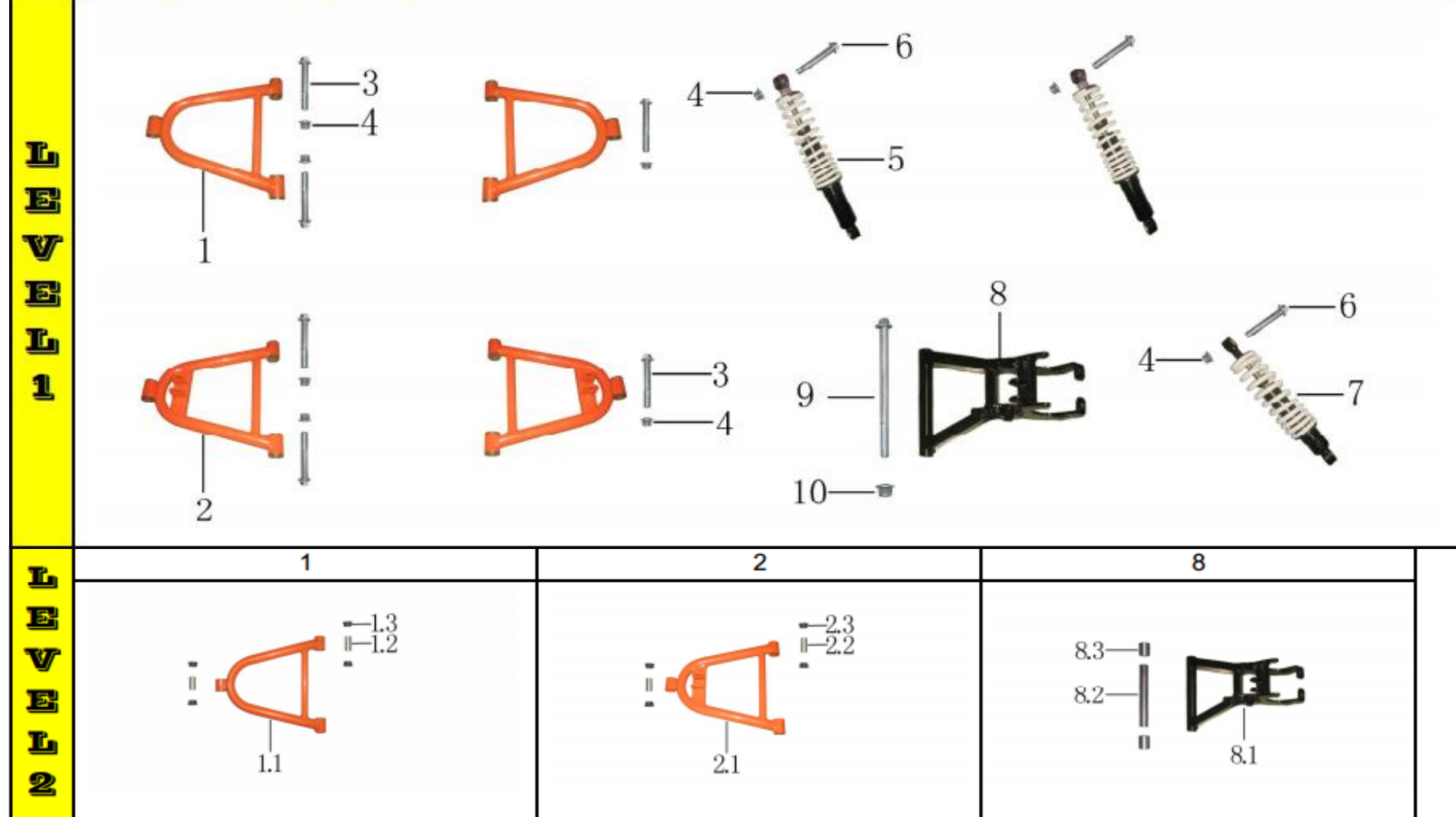
Ref #	Level 1 #	Factory Part #	GIO Part #	Description	Compatible Models	QTY	Location	In-Stock
1	1	TE000F310000001	G1020017	Bumper	T2	1	2S7D2	
2	2	YX000B440000000		Front Cover Bracket	N/A	1		
3	3	YX000B100000000		Frame	N/A	1		
4	4	YX000B440000001		Front-Left Cover Bracket	N/A	1		
5	5	YX000B440000002		Front-Right Cover Bracket	N/A	1		
6	6	TE000F130000000		Foot Peg Bracket	T2	1		
7	7	TE000F150000000		Peg Plastic Bracket (Left)	T2	1		
8	8	TE000F150000001		Peg Plastic Bracket (Right)	T2	1		
9	9	YS000F320000001		Chain Cover	T2, T2 DELUX	1		
10	10	YS000F320000000		Chain Guard	T2, T2 DELUX	1		

2.STEERING SYSTEM



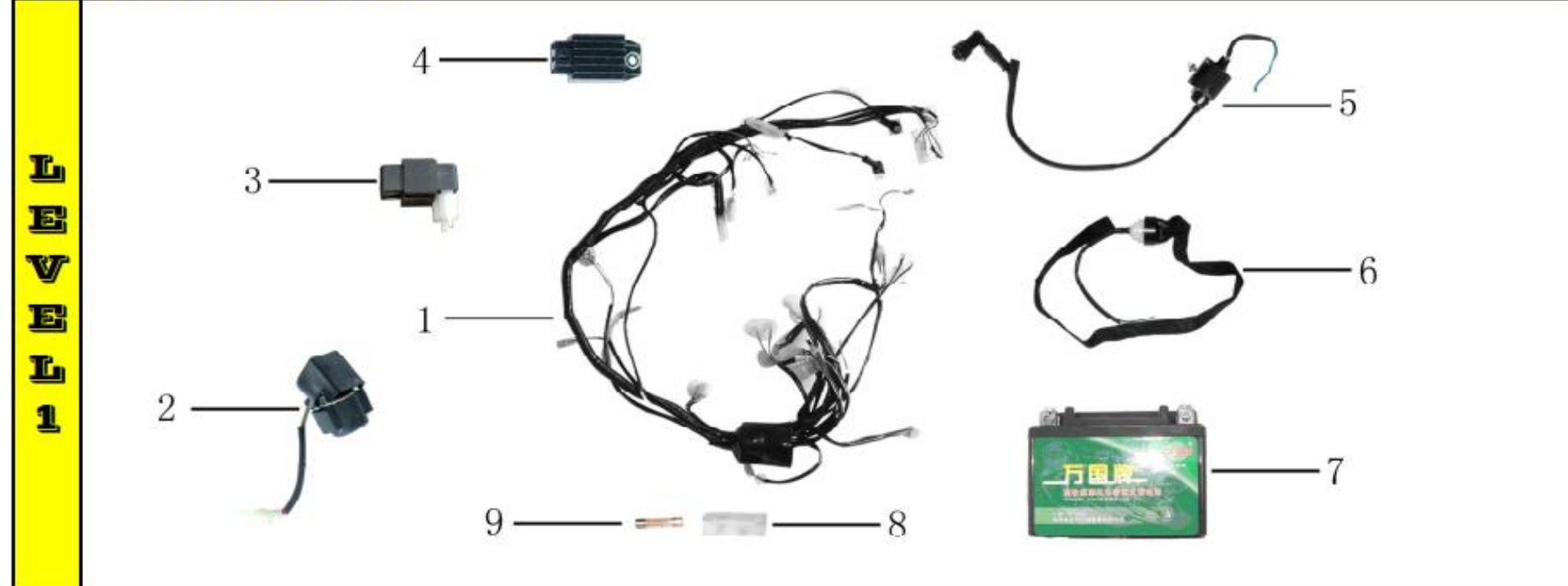
Ref #	Level 1&2 #	Factory Part #	GIO Part #	Description	Compatible Models	QTY	Notes	Location	In-Stock
21	1	YX000C100000000		Handle Bar Assy	T2	1			
22	1.1	YH000C110000000		Handle	T2, T2 DELUX	1			
23	1.2	YS000C220000000	G1010083	Handle Fixer	T2, T2 DELUX, 802	4		2S8A3	
24	1.3	YS000P310000000		Handle Cover	T2, T2 DELUX, 802	1			
25	1.4	YS000P310000001		Handle Cover	T2, 802	1			
26	1.5	G587M08L5D88Z50	G1010083	Bolt M8*55	T2, T2 DELUX, 802	4		2S8A3	
27	2	YS000C240000000		Hand Grip	T2, T2 DELUX, 802	2			
28	3	YH000D710000000	G1010080/G1050014	Starting Switch	T2, 802	1		2S8A2/2S7C2/ 2S7D3/2S7D4	
29	4	TE000E810000000		Throttle Control	T2	1			
30	5	TE000C310000000		Steering Pole	T2	1			
31	6	YX000C200000000		Steering Clip Assembly	T2	1			
32	6.1	SB000C220000000		Clip	T2	2			
33	6.2	SG000P110000002		Steering Bush d10.3*D14*L42	T2	2			
34	6.3	G521D30P0B3P55		Rubber Mat	T2	2			
35	6.4	Q141M10D08Z50		Nut M10	T2, T2 DELUX, 802	2			
36	6.5	G587M10L60D88Z50		Bolt M10*60	T2, T2 DELUX	2			
37	7	YX000C320000002	G1020010 (Includes 7.1-7.3)	Steering Link L245	N/A	2	Includes: 7.1-7.3	2S7C2	
38	7.1	YX000C320000003		Tie - Rod	N/A	1			
39	7.2	YX000C330000000		LinkKnuckle I	N/A	1			
40	7.3	YX000C330000001		LinkKnuckle II	N/A	1			
41	7.4	G859M10S02B03000		Washer d10	T2, 802	2			
42	7.5	G181M10D08ZG0		Nut M10	T2, T2 DELUX, 802	2			
43	8	GB91D002L040Z50		Cotter Pin 2*40	802	4			
44	9	YX000C400000000		Steering Knuckle(LF) Assembly	N/A	1			
45	9.1	YX000C410000000		Steering Knuckle (LF)	N/A	1			
46	9.2	YH000P110000005		Metal Bush d12*D16*L74	N/A	1			
47	9.3	YS000P220000000		Steering Bush	N/A	2			
48	9.4	YS000C430000000		Steering Cover	N/A	2			
49	9.5	YS000C410000002		Knuckle	N/A	2			
50	9.6	G587M12L105D88Z50		Bolt M12*105	N/A	1			
51	9.7	Q141M12D08Z50		Nut M12	T2, T2 DELUX	1			
52	10	YX000C400000001		Steering (RH) Assembly	N/A	1			
53	10.1	YX000C410000001		Steering Knuckle (LF)	N/A	1			
54	10.2	YH000P110000005		Metal Bush d12*D16*L74	N/A	1			
55	10.3	YS000P220000000		Steering Bush	N/A	2			
56	10.4	YS000C430000000		Steering Cover	N/A	2			
57	10.5	YS000C410000002		Knuckle	N/A	2			
58	10.6	G587M12L105D88Z50		Bolt M12*105	N/A	1			
59	10.7	Q141M12D08Z50		Nut M12	T2, T2 DELUX	1			
60	11	Q010D020D035B08		Oil Seal 20*35*8	T2	2			
61	12	G932D035S1PSYB0		Spring Clip	T2	1			
62	13	G281AM1202		Bearing	T2	1			
63	14	SG000P110000006		Metal Bush d16*D20*L17	T2	1			
64	15	G181M14G08ZG0		Nut M14	T2	1			
65	16	GB91D3P2L032Z50		Cotter Pin 3.2*32	T2	1			

3.SUSPENSION SYSTEM



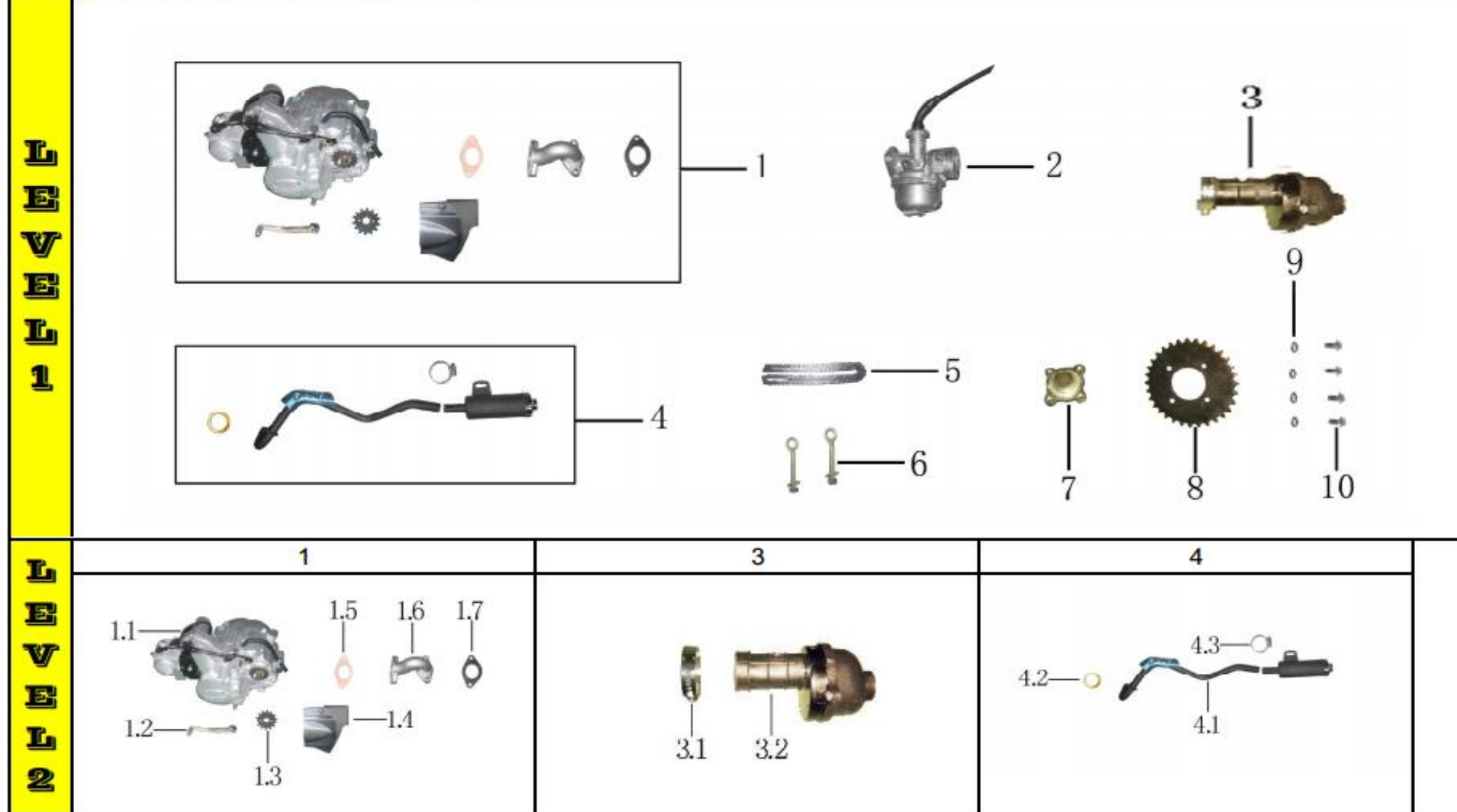
Ref #	Level 1&2 #	Factory Part #	GIO Part #	Description	Compatible Models	QTY	Notes	Location	In-Stock
66	1	YX000N100000002	G1020029	Upper A-Arm Assembly	N/A	2		257C3	
67	1.1	YX000N100000000		Upper A-Arm	N/A	1			
68	1.2	YX000P110000000		Metal Bush d10*D14*L41	T2	3			
69	1.3	TE000P120000000		A-Arm Plug	T2	6			
70	2	YX000N100000003	G1020029	Lower A-Arm Assembly	N/A	2		257C3	
71	2.1	YX000N100000001		Lower A-Arm (Left)	N/A	1			
72	2.2	YX000P110000000		Metal Bush d10*D14*L41	T2	3			
73	2.3	TE000P120000000		A-Arm Plug	T2	6			
74	3	G587M10L65D88ZS0		Bolt M10*65	T2	12			
75	4	Q141M10D08ZS0		Nut M10	T2, T2 DELUX, 802	18			
76	5			Front Shock L335	T2	2	It says it's exactly the same as T2 but by observation, they don't appear to be		
77	6	G587M10L45D88ZS0		Bolt M10*45	T2	6			
78	7		G1020003	Rear Shock L315	T2	1	It says it's exactly the same as T2 but by observation, they don't appear to be	257C1	
79	8	TE000N200000000		Rear Swing Arm Assembly	T2	1			
80	8.1	TE000N210000000		Rear Swing Arm	T2	1			
81	8.2	YX000P110000001		Metal Bush d12*D16*L142	T2	1			
82	8.3	TE000P110000000		Metal Bush d12*D24*L29	T2	2			
83	9	Q587M12L255D88ZS0		Bolt M12*255	T2	1			
84	10	Q141M12D08ZS0		Nut M12	T2, T2 DELUX	1			

4.ELECTRIC SYSTEM



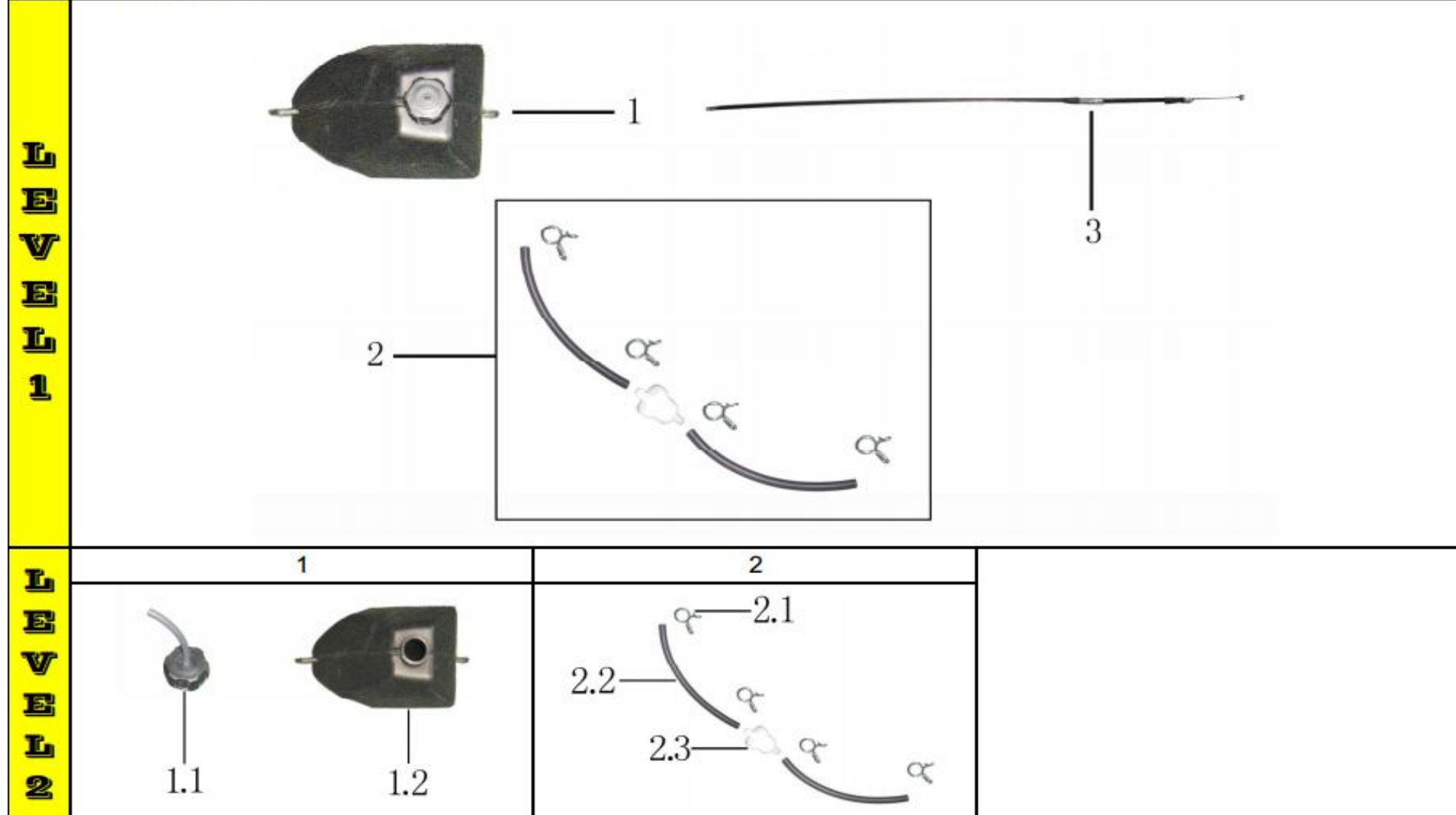
Ref #	Level 1 #	Factory Part #	GIO Part #	Description	Compatible Models	QTY	Notes	Location	In-Stock
85	1	YX000D110000001		Wire Harness	N/A	1			
86	2	YS000D430000000	G1010009	Starter Relay	T2, T2 DELUX, 802	1		1S1B3	
87	3	YS000D410000001		C.D.I.	T2 DELUX	1			
88	4	YS000D440000000	G1010007	Regulator	802	1		1S1B2	
89	5	YS000D420000000	G1010008	Ignition Coil	T2, 802	1		1S1B1	
90	6	YS000D730000000	G1010037	Emergency Kill Switch	T2, T2 DELUX, 802	1		2S8A3	
91	7	YS000D610000000	G1010015/G1050039	Battery	T2, 802	1		1S1B2/2S7D3	
92	8	SB000D220000001		Fuse Box	T2, T2 DELUX, 802	1			
93	9	SB000D220000000		Fuse	T2, T2 DELUX, 802	1			

5. TRANSMISSION SYSTEM



Ref #	Level 1&2 #	Factory Part #	GIO Part #	Description	Compatible Models	QTY	Notes	Location	In-Stock
94	1	TE000J000000000	G1020021	Engine Assembly	N/A	1		1R3B2	
95	1.1	TE000J100000001		Engine	N/A	1			
96	1.2	TE000J600000000	G1050020/G1020026	Shift Level	T2	1	Contains two different GIO numbers	2S7C3	
97	1.3	PB000M120000000		Front Sprocket	T2	1			
98	1.4	TE000J110000000		Engine Chain Guard	N/A	1			
99	1.5	YS000E910000002		Intake Manifold Gasket	T2, 802	1			
100	1.6	YF000E540000000		Intake Manifold	T2, T2 DELUX	1			
101	1.7	YS000E910000001		Intake Manifold Gasket (Plastic)	T2, T2 DELUX, 802	1			
102	2	YH000E510000000	G1010062	Carcurator PZ19	802	1		1S1B1	
103	3	PS000A000000000	G1010025	Air Filter Assembly	T2, 802	1		1S1B4	
104	3.1	Q620AD45Z50		Circlip	T2, T2 DELUX, 802	1			
105	3.2	YB00C3001		Air Filter	817	1			
106	4	TE000A200000000		Exhaust	T2	1			0
107	4.1	TE000A200000001	G1020020/G1050025	Muffler	T2	1		2S7D5	
108	4.2	YS000A440000000		Muffler Seal	T2, T2 DELUX, 802	1			
109	4.3	TE000A250000000		Muffler Circlip	T2	1			
110	5	JCASI4280821YB0	G1020023	Chain 428#	N/A	1		2S7C3	0
111	6	YS000M140000000		Chain Adjuster	T2, T2 DELUX	2			
112	7	YS000M65ZG00000		Sprocket Flange	802	1			
113	8	TE000M120000000	G1020012	Rear Sprocket	T2	1		2S7D2	
114	9	G093M08S21B21000		Washer d8	T2, T2 DELUX, 802	4			
115	10	G587M08L20D88Z50		Bolt M8*20	T2 DELUX, 802	4			

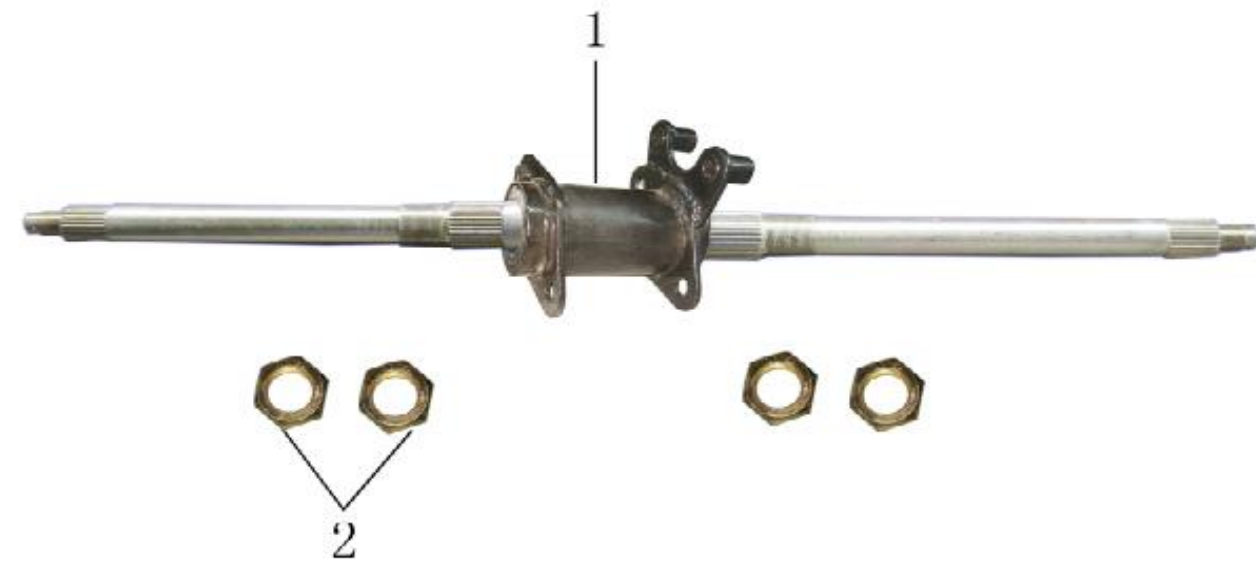
6. FUEL TANK



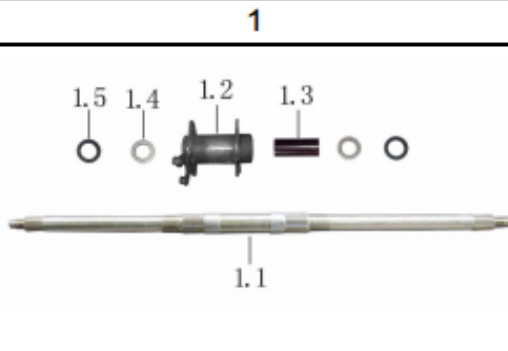
Ref #	Level 1&2 #	Factory Part #	GIO Part #	Description	Compatible Models	QTY	Notes	Location	In-Stock
116	1	YX000E100000000		Fuel Tank Assembly	802	1			
117	1.1	YX000E150000000	G1010021	Fuel Tank Cap	802	1		2S8A3	
118	1.2	YX000E110000000		Fuel Tank	802	1			
119	2	YX000E200000000		Fuel Filter	T2 DELUX	1			
120	2.1	Q621AB7000		Circlip B7	T2, T2 DELUX, 802	4			
121	2.2	YB000E610000004		Fuel Tube d4.5*D8.58*L120mm	N/A	2			
122	2.3	SB000E210000000	G1010040	Fuel Filter	T2, 802	1		1S1B3	
123	3	YS000M220000000	G1010012	Throttle Cable 735*75	T2, T2 DELUX, 802	1		2S8A2	

7. REAR AXLE

LEVEL 1



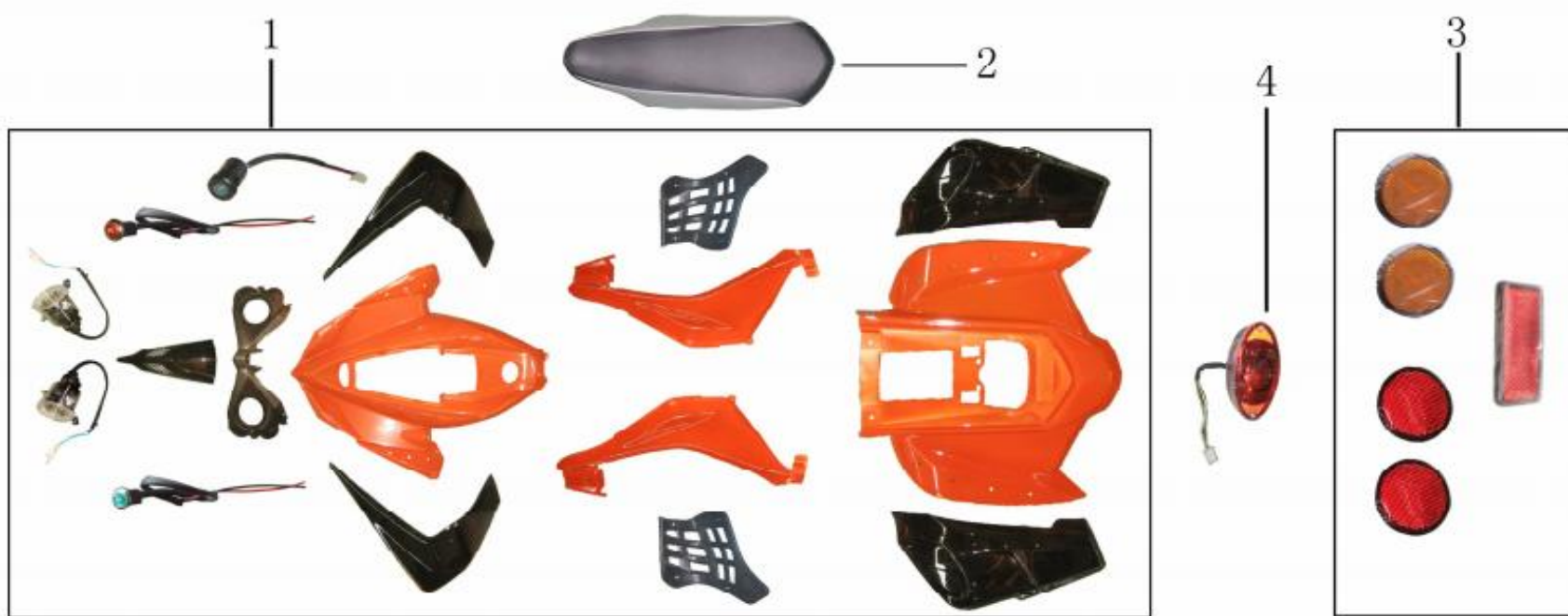
LEVEL 2



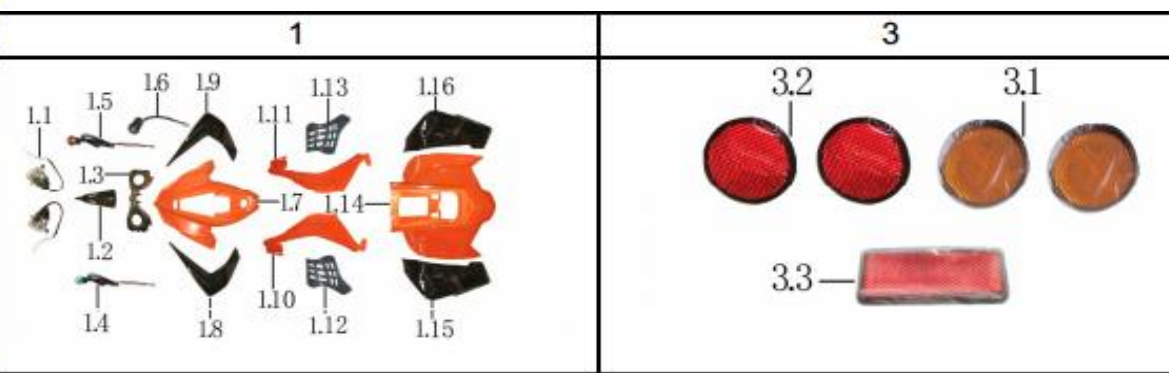
Ref #	Level 1&2 #	Factory Part #	GIO Part #	Description	Compatible Models	QTY	Location	In-Stock
124	1	YX000M50000000		Rear Axle Assembly	N/A	1		
125	1.1	YX000M90000000	G1020007	Rear Axle	N/A	1	2S8D2	
126	1.2	YS000M51000000	G1020007	Rear Axle Connection Rod	T2	1	2S7D2	
127	1.3	YM000P11000002		Metal Bush d27*D30*L85.5	N/A	1		
128	1.4	G276B261905-Z		Bearing 6905Z	T2, 802	2		
129	1.5	Q010D030D042B07		Oil Seal	T2, 802	2		
130	2	G171M27G10000		Nut M27*1.5	T2 DELUX	4		

8. BODY KITS

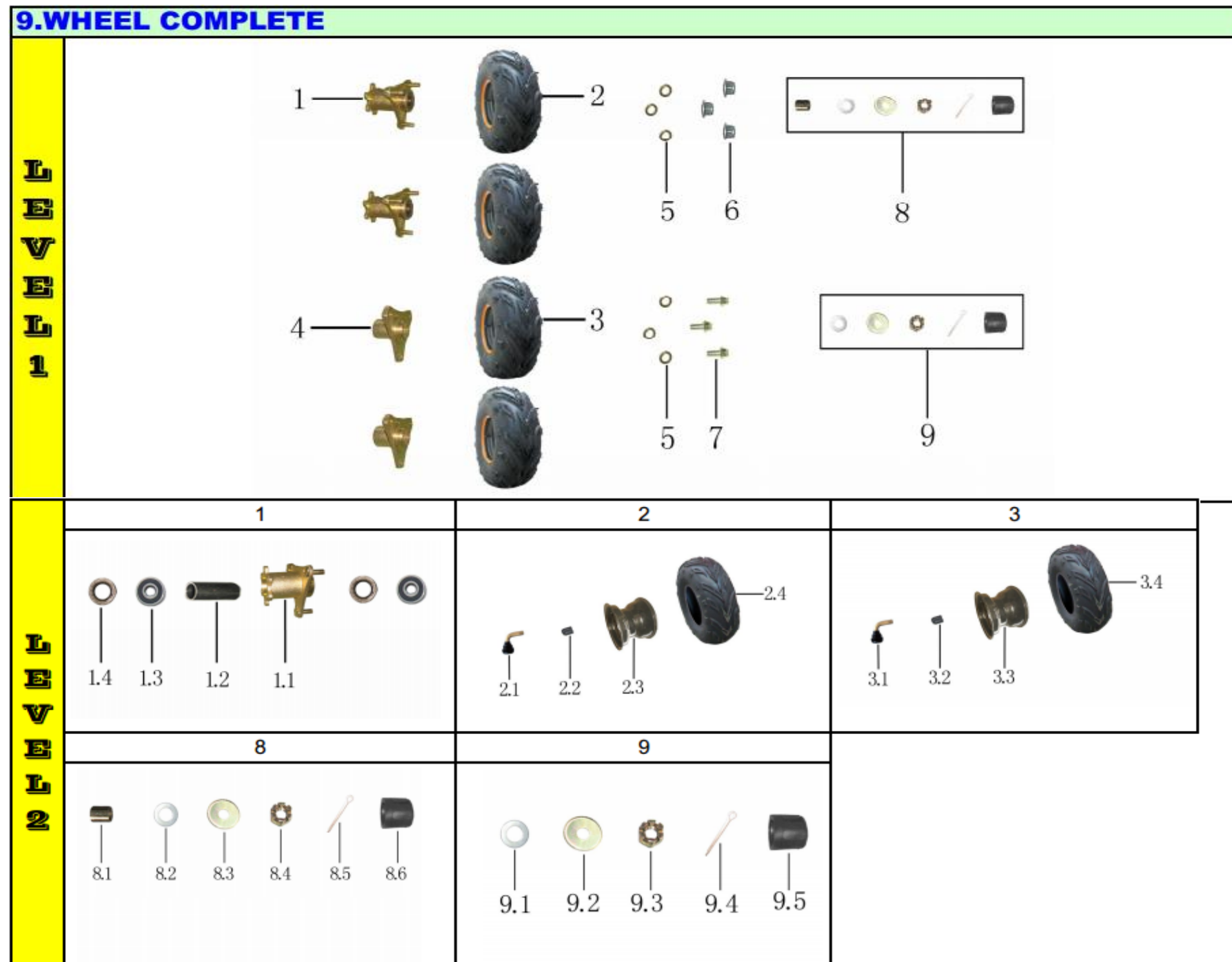
LEVEL 1



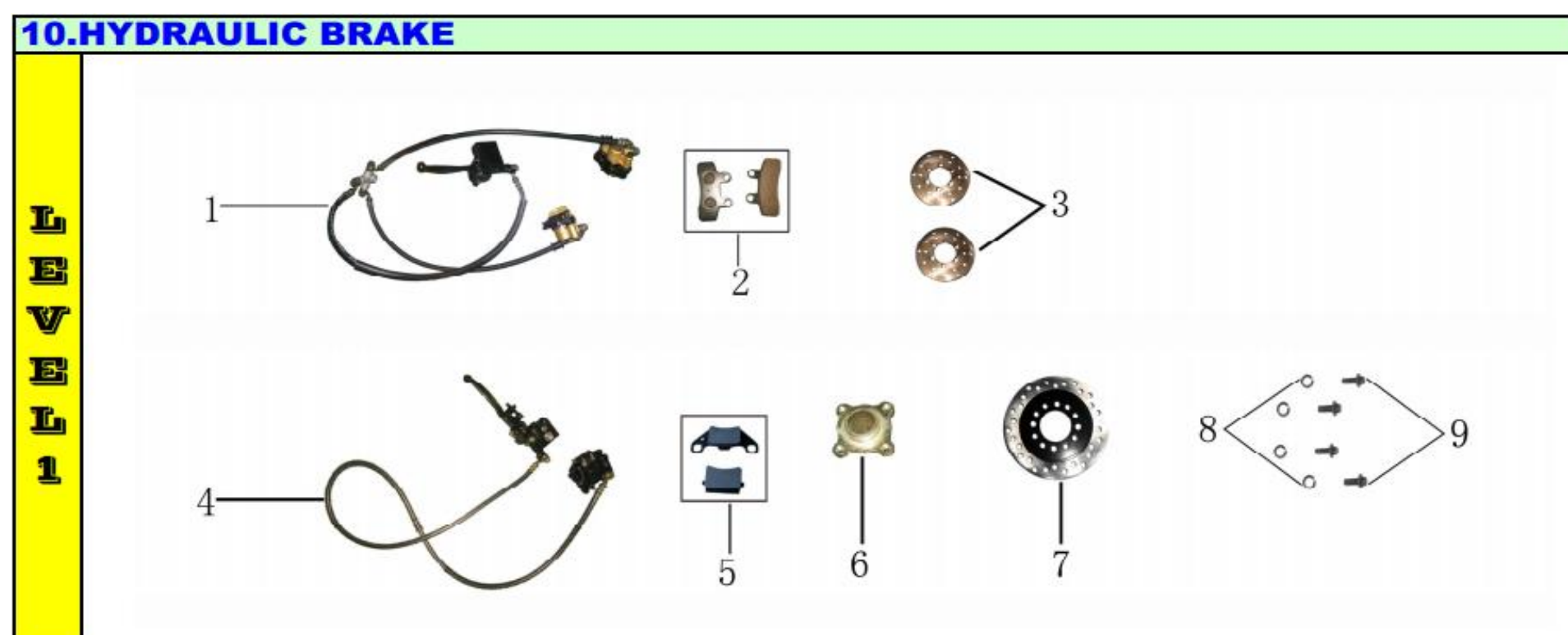
LEVEL 2



Ref #	Level 1&2 #	Factory Part #	GIO Part #	Description	Compatible Models	QTY	Notes	Location	In-Stock
131	1	YX000L10000000		Body Kit	N/A	1			
131	1		G1020025	Body Kit - Orange (Includes: 1.2, 1.3, 1.7-1.11, 1.14-1.16)	N/A	1	Includes: 1.2,1.3,1.7-1.11,1.14-1.16	2R6C3	
131	1		G1020032	Body Kit - Lime (Includes: 1.2, 1.3, 1.7-1.11, 1.14-1.16)	N/A	1	Includes: 1.2,1.3,1.7-1.11,1.14-1.16	2R6C3	
132	1.1	YX000G11000002		Head Lights	N/A	2			
133	1.2	YX000L11000003		Front Cover	N/A	1			
134	1.3	YX000L11000002		Light Cover	N/A	1			
135	1.4	YS000G32000000		Neutral Indicator Light	T2	1			
136	1.5	YS000G35000000		Reverse Indicator Light	T2	1			
137	1.6	YS000D31000000	G1010010/G1050042	Ignition and Keys	T2, T2 DELUX, 802	1		1S1A4/2S7D4	
138	1.7	YX000L11000001		Tank Body Plastic	N/A	1			
139	1.8	YX000L11000004		Front - Side Cover I	N/A	1			
140	1.9	YX000L11000005		Front - Side Cover II	N/A	1			
141	1.10	YX000L13000000		Left - Side Cover	N/A	1			
142	1.11	YX000L14000000		Right - Side Cover	N/A	1			
143	1.12	TE000L13000000	G1020006	Foot Peg Plastic (Left)	T2	1		2S7C1	
144	1.13	TE000L14000000	G1020006	Foot Peg Plastic (Right)	T2	1		2S7C1	
145	1.14	YX000L12000000		Rear Cover	N/A	1			
146	1.15	YX000L12000001		Rear - Side Cover I	T2	1			
147	1.16	YX000L12000002		Rear - Side Cover II	T2	1			
148	2	YX000F11000000		Seat	T2	1			
148	2		G1020004	Seat - Black		1		2S9A3	
148	2		G1020033	Seat - Orange		1		2S9A2	
148	2		G1020034	Seat - Green		1		2S8D4	
148	2		G1020036	Seat - Grey		1		2S9A1	
149	3	YS000G20000000		Reflectors	T2, 802	1			
150	3.1	YS000G27000000		Front Reflectors (Amber)	T2, 802	2			
151	3.2	YS000G27000001		Rear Reflector (Red)	T2, 802	2			
152	3.3	YS000G27000002		Rear Reflector (Red)	T2, T2 DELUX, 802	1			
153	4	YB000G22000000	G1020015	Rear Lights	T2 DELUX	1		2S7C2	



Ref #	Level 1&2 #	Factory Part #	GIO Part #	Description	Compatible Models	QTY	Location	In-Stock
154	1	YX000M62000000		Front Flange Assembly	N/A	2		
155	1.1	YX000M85000000		Front Flange	N/A	1		
156	1.2	YX000P11Z500000		Metal Bush d19*D22*L41.5	N/A	1		
157	1.3	G276AS6003		Bearing 6003	N/A	2		
158	1.4	Q010D022D035B07		Oil Seal 22*35*7	802	2		
159	2	YX000M60000000	G1020009	Front Wheel Complete	N/A	1	1R8D1	
160	2.1	SB000M74000000		Cycle Valve	T2, T2 DELUX	2		
161	2.2	SB000M75000000		Cycle Valve Cap	T2, T2 DELUX	2		
162	2.3	YX000M60000000	G1020035	Rim	N/A	2	257C2	
163	2.4	YS000M71000000		Tire	N/A	2		
164	3	YX000M60000000	G1020009//G1020031 (Includes Rear Flange)	Rear Wheel Complete	N/A	1	1R8D1//1R8C2	
165	3.1	SB000M74000000		Cycle Valve	T2, T2 DELUX	2		
166	3.2	SB000M75000000		Cycle Valve Cap	T2, T2 DELUX	2		
167	3.3	YS000M60000000	G1020035	Rim	N/A	2	257C2	
168	3.4	YS000M71000000		Tire	N/A	2		
169	4	YS000M60000000	G1010047/G1020027	Rear Flange	802	2	258C2/ 257C3	
170	5	G093M08521B21000		Washer	T2, T2 DELUX, 802	12		
171	6	Q141M08D08Z50		Nut M8	T2, T2 DELUX, 802	6		
172	7	G587M08L20D88Z50		Bolt M8*20	T2 DELUX, 802	6		
173	8	YX000P41000000		Front Wheel Assembly Part	N/A	2		
174	8.1	YX000P11Z500001		Metal Bush d19*D22*L13	N/A	1		
175	8.2	G971M14D28H25Z50		Washer d14	T2 DELUX, 802	1		
176	8.3	YS000M67000000		Wheel Dustproof Cover	T2, T2 DELUX, 802	1		
177	8.4	G181M14E08ZG0		Bolt M14	T2, T2 DELUX, 802	1		
178	8.5	GB91D3P2L040Z50		Cotter Pin 3.2*40	T2, T2 DELUX	1		
179	8.6	YS000M67000000	G1010024	Wheel Dustproof Cover	T2, T2 DELUX, 802	1	258A3	
180	9	YX000P41000000		Rear Wheel Assembly Part	N/A	2		
181	9.1	G971M14D28H25Z50		Washer d14	T2 DELUX, 802	1		
182	9.2	YS000M67000000		Wheel Dustproof Cover	T2, T2 DELUX, 802	1		
183	9.3	G181M14E08ZG0		Bolt M14	T2, T2 DELUX, 802	1		
184	9.4	GB91D3P2L040Z50		Cotter Pin 3.2*40	T2, T2 DELUX	1		
185	9.5	YS000M67000000	G1010024	Wheel Dustproof Cover	T2, T2 DELUX, 802	1	258A3	



Ref #	Level 1 #	Factory Part #	GIO Part #	Description	Compatible Models	QTY	Location	In-Stock
186	1	TE000M80000000		Front Caliper	T2	1		
187	2	TE000M81000000		Front Break Pads	T2	1		
188	3	YX000M80000000	G1020030	Front Rotor	N/A	2	257C3	
189	4	YH000M80000000	G1050032	Rear Caliper	T2	1	257D3	
190	5	YF000M81000000	G1010041/G1050033	Rear Brake Pads	T2, T2 DELUX, 802	1	151B3	Contains two different GIO numbers for identical part
191	6	YS000M85ZG0000		Rotor Flange	T2, 802	1		
192	7	YS000M82000000	G1010018	Rear Rotor	T2, 802	1	258A3	
193	8	G093M08521B21000		Washer d8	T2, T2 DELUX, 802	4		
194	9	G587M08L16D88Z50		Bolt M8*16	T2, T2 DELUX, 802	4		